

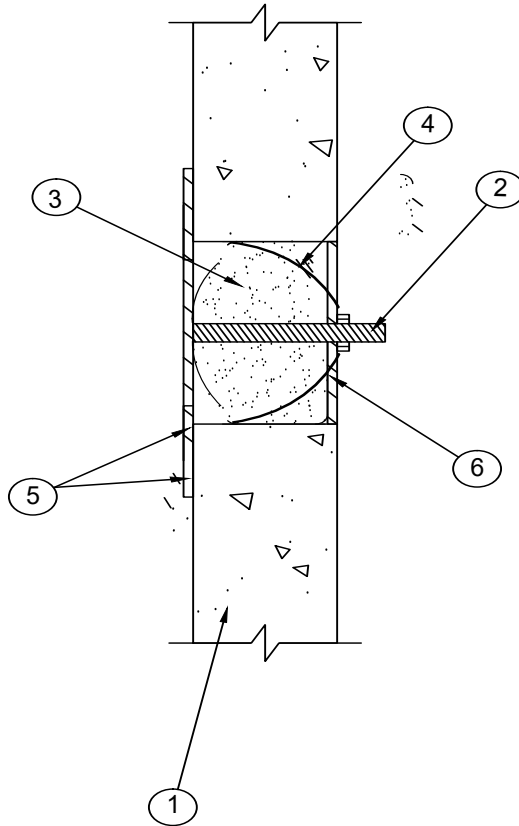
ENGINEERING JUDGMENT FIRESTOP DETAIL

F Rating - 3 HR

Drawing No.

CBSW-001

Rev.



1. **Wall Assembly (3 Hr)** - Min 3" thick concrete wall assembly. Max diam of opening is 5.5".
2. **Bolt** - One max 1/2" diam (or smaller) threaded rod centered within the opening.
3. **Plug** - Nom 2" or 4" diam SpecSeal® FP Firestop Plug or nom 5" diam SpecSeal® FP500D Firestop Plug firmly installed around the threaded bolt such that the outer circumference of dome shaped plug is flush with underside of floor assembly. Plug cut to fit the cored hole.
4. **Retaining Prongs** - Retention Prongs are typically used for horizontal core bores. They will "center" the device in the core hole and will retain the system in the wall also to prevent mis alignment. Length of prongs depends upon the size core being sealed.
5. **Sealant (Not Shown)** - SpecSeal® SSS or LCI Sealant installed as min 3/8" diam bead around the edge of the cored hole and 1/4 inch in from edge of plate. (Item 5).
6. **Core Bore Firestop System** - Manufactured by Unique Firestop Products and installed per manufacturer's instructions.

THIS DESIGN REPRESENTS A FIRESTOP SYSTEM EXPECTED TO PASS THE STATED RATINGS IF TESTED

Project: Unique Firestop Products, Inc		Signature: <i>THOMAS MALANO</i>		System Reference: F-A-0045	
Project Address:					
Designed by: TOM					
Contractor:		Scale: N.T.S.	Date:	PAGE 1 OF 1	Based on testing to ASTM E814/UL 1479: Standard for Fire Tests of Penetration Firestops
All statements, technical information, and recommendations contained herein are based upon tests we believe to be accurate; however since the conditions of use and application are beyond our control, Unique Fire Stop shall not be liable for any damage, direct or consequential, resulting from the use of this material or design. Unique Fire Stop sole warranty shall be to refund or replace materials found to be defective.					