



System No. F-A-0029 XHEZ.F-A-0029 Through-penetration Firestop Systems

Page Bottom

Design/System/Construction/Assembly Usage Disclaimer

- Authorities Having Jurisdiction should be consulted in all cases as to the particular requirements covering the installation and use of UL Certified products, equipment, system, devices, and materials.
- Authorities Having Jurisdiction should be consulted before construction.
- Fire resistance assemblies and products are developed by the design submitter and have been investigated by UL for compliance with applicable requirements. The published information cannot always address every construction nuance encountered in the field.
- When field issues arise, it is recommended the first contact for assistance be the technical service staff provided by the product manufacturer noted for the design. Users of fire resistance assemblies are advised to consult the general Guide Information for each product category and each group of assemblies. The Guide Information includes specifics concerning alternate materials and alternate methods of construction.
- Only products which bear UL's Mark are considered Certified.

XHEZ - Through-penetration Firestop Systems

XHEZ7 - Through-penetration Firestop Systems Certified for Canada

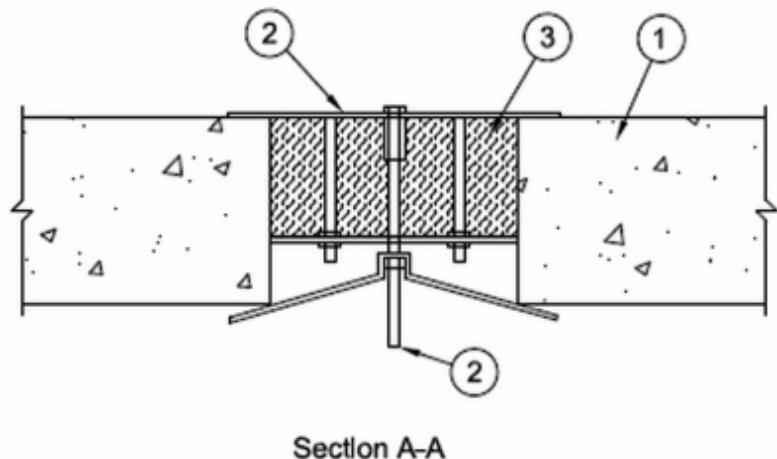
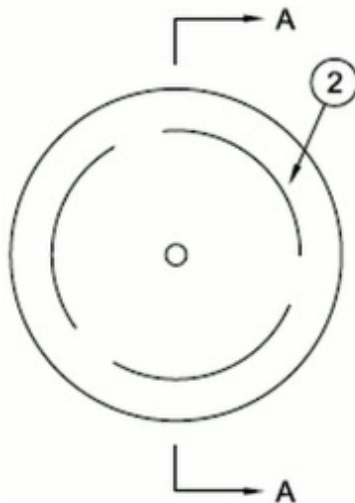
[See General Information for Through-penetration Firestop Systems](#)

[See General Information for Through-penetration Firestop Systems Certified for Canada](#)

System No. F-A-0029

December 02, 2014

ANSI/UL1479 (ASTM E814)	CAN/ULC S115
F Rating — 4 Hr	F Rating — 4 Hr
T Rating — 1-1/4 Hr	FT Rating — 1-1/4 Hr
	FH Rating — 4 Hr
	FTH Rating — 1-1/4 Hr



1. **Floor Assembly** — Min 4-1/2 in. (114 mm) thick reinforced lightweight or normal weight (100-150 pcf or 1600-2400 kg/m³) concrete. Nom diam of opening is 6 in. (152 mm) or 3 in. (76 mm) for 5-3/4 and 3 in. (146 and 76 mm) device sizes, respectively.
2. **Firestop Devices*** — Firestop device installed within opening with top ring plate of device resting flush against top

surface of floor and middle ring plate with intumescent gasket recessed within floor opening, 3 in. (76 mm) down from the top ring plate. The middle ring plate and the device is held in position within the floor opening with the nut trap plate located at bottom of device, up tight against the middle ring plate, secured with 3/8-16 hex nut supplied with the device and with the legs of the nut trap plate bent as needed to overlap bottom surface of floor by minimum of 3/4 in. (19 mm). Prior to securing the nut trap plate, the void or cavity material (Item 3) is applied within the 3 in. (76 mm) annular space between the device plate rings, the middle ring plate is reset in position against the support studs of the device and the nut trap plate secured in position. The devices are provided in two sizes, nom 5-3/4 in. (146 mm) and nom 3 in. (76 mm) diam.

3. **Fill, Void or Cavity Material* – Foam** – Min 3 in. (76 mm) thickness of fill material applied to completely fill the annulus between the top and middle ring plates of the device.

ABESCO FIRE LTD – FP 200 FR Expanding Foam

*** Indicates such products shall bear the UL or cUL Certification Mark for jurisdictions employing the UL or cUL Certification (such as Canada), respectively.**

Last Updated on 2014-12-02

[Questions?](#)

[Print this page](#)

[Terms of Use](#)

[Page Top](#)

© 2016 UL LLC

The appearance of a company's name or product in this database does not in itself assure that products so identified have been manufactured under UL's Follow-Up Service. Only those products bearing the UL Mark should be considered to be Certified and covered under UL's Follow-Up Service. Always look for the Mark on the product.

UL permits the reproduction of the material contained in the Online Certification Directory subject to the following conditions: 1. The Guide Information, Assemblies, Constructions, Designs, Systems, and/or Certifications (files) must be presented in their entirety and in a non-misleading manner, without any manipulation of the data (or drawings). 2. The statement "Reprinted from the Online Certifications Directory with permission from UL" must appear adjacent to the extracted material. In addition, the reprinted material must include a copyright notice in the following format: "© 2016 UL LLC".