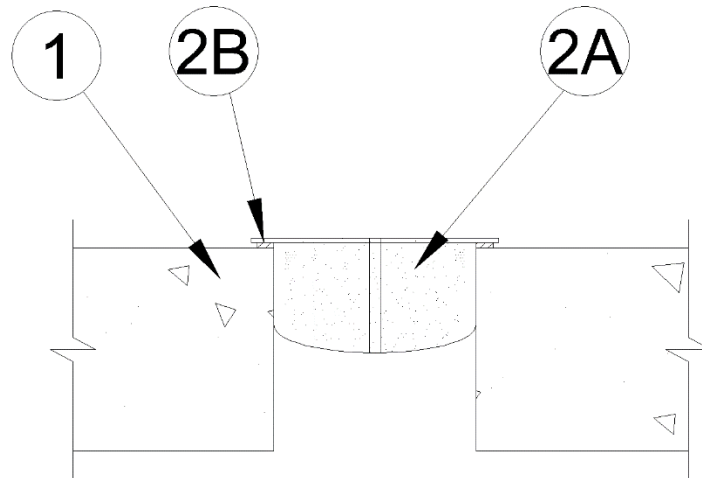


\*

System No. **F-A-0045**

ANSI/UL1479 (ASTM E814)	CAN/ULC S115
F Rating - 3 Hr	F Rating - 3 Hr
T Rating - 1/2, 3/4, 1 or 1-1/2 Hr (See Item 2)	FT Rating - 1/2, 3/4, 1 or 1-1/2 Hr (See Item 2)
Rating At Ambient - Less Than 1 CFM/sq ft	FH Rating - 3 Hr
L Rating At 400 F - Less Than 1 CFM/sq ft	FTH Rating - 1/2, 3/4, 1 or 1-1/2 Hr (See Item 2)
W-Rating - Class I	L Rating At Ambient - Less Than 5.1 L/s/m3
	L Rating At 204°C - Less Than 5.1 L/s/m3



1. Floor Assembly - Min 2-1/2 in. (64 mm) thick reinforced lightweight or normal weight (100-150 pcf or 1600-2400 kg/m<sup>3</sup>) concrete. Maximum diameter of opening is 5-1/2 in. (140 mm)

2. Firestop System - The firestop system shall consist of the following:

A. Firestop Device - Device size selected based on opening diameter and firmly installed within the top side of the floor.

\*

**UNIQUE FIRE STOP PRODUCTS** INC - CBS

Device size	Minimum Floor thickness, in. (mm)	T, FT, FTH - Rating
1-1/2	2-1/2	3/4
	4-1/2	1-1/2
3-1/2	2-1/2	1
	4-1/2	1
4-1/2	2-1/2	3/4
	4-1/2	3/4
5-1/2	2-1/2	3/4
	4-1/2	1/2

B. Fill, Void or Cavity Material\* - Sealant - Nom 3/8 in. (10 mm) diam bead of sealant may applied around periphery of opening at interface of plate and opening with floor surfaces.

SPECIFIED TECHNOLOGIES INC - SpecSeal SIL300 Silicone Firestop Sealant.

\* Indicates such products shall bear the UL or cUL Certification Mark for jurisdictions employing the UL or cUL Certification (such as Canada), respectively.