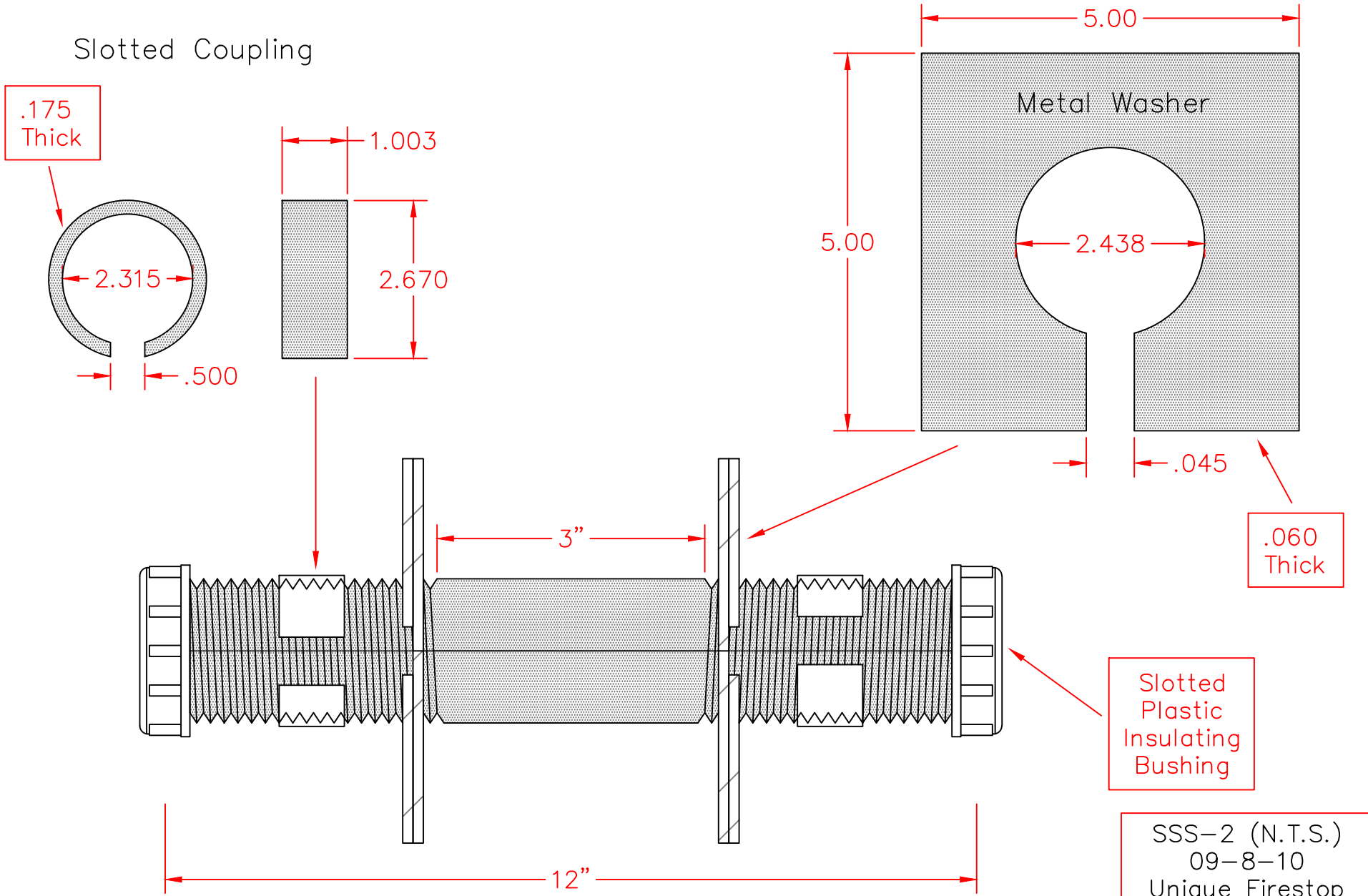


(SSS-2) Split Sleeve System

Unique Fire Stop Products, Inc.



All Dimensions are $\pm 15\%$

SSS-2 (N.T.S.)
09-8-10
Unique Firestop
251-960-5018