



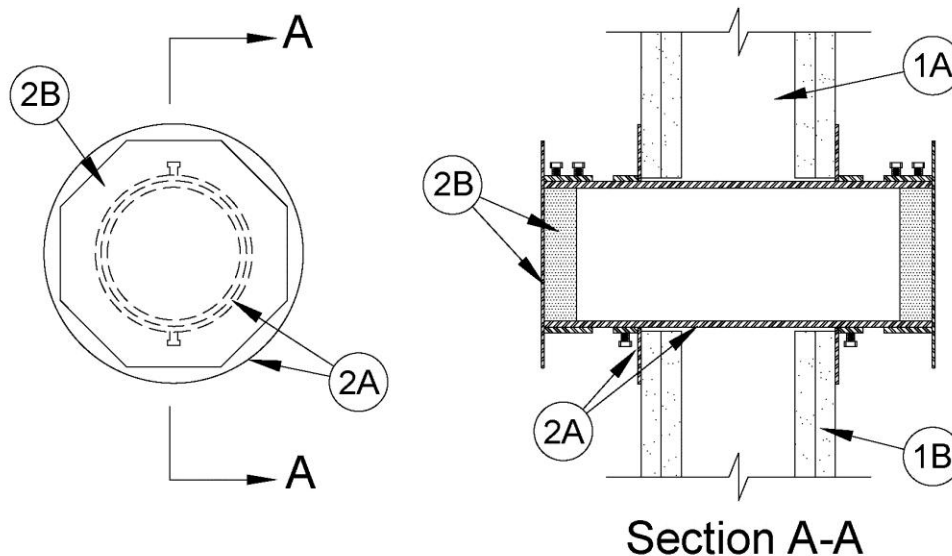
# Unique Fire Stop Products

UL XHEZ.W-L-0021  
Drywall 1 and 2 Hr. Through-penetration Firestop System  
using Unique Fire Stop Products – Smooth Endcap (& Smooth Penetrator)

Guide XHEZ  
Through-Penetration Firestop Systems

April 14, 2005

System No. W-L-0021  
F Ratings - 1 and 2 Hr (See Item 1)  
T Rating - 0 Hr



1. **Wall Assembly** — The 1 or 2 hr fire-rated gypsum board/stud wall assembly shall be constructed of the materials and in the manner described in the individual U300, U400 or V400 Series Wall and Partition Designs in the UL Fire Resistance Directory and shall include the following construction features:

A. **Studs** — Wall framing shall consist of either wood studs or steel channel studs. Wood studs to consist of nom 2 by 4 in. (51 by 102 mm) lumber spaced max 16 in. (406 mm) OC. Steel studs to be min 3-1/2 in. (89 mm) wide and spaced max 24 in. (610 mm) OC.

B. **Gypsum Board\*** — 5/8 in. (16 mm) thick, 4 ft (1.22 m) wide with square or tapered edges. The gypsum board type, thickness, number of layers, fastener type and sheet orientation shall be as specified in the individual U300, U400 or V400 Series Designs in the UL Fire Resistance Directory.

**The hourly F Rating of the firestop system is equal to the hourly fire rating of the wall assembly in which it is installed.**

2. **Firestop System** — The firestop system shall consist of the following:

A. **Firestop Device\* - Sleeve** — Smooth steel sleeve device incorporating flat washers secured by sliding compression couplers. Device shall be installed in accordance with the accompanying installation instructions. Device provided in nom 1, 2 and 4 in. (25, 51 and 102 mm) diam sizes. Max diam of opening in wall for nom 1, 2 and 4 in. (25, 51 and 102 mm) diam device is 1-1/4, 2-7/16 and 4-1/2 in. (32, 62 and 114 mm), respectively.

**UNIQUE FIRE STOP PRODUCTS INC — Smooth Penetrator**

B. **Firestop Device\* - End Cap** — End cap device incorporating an octagonal cover plate with a set screw coupling provided with an intumescent putty fill. Device provided in nom 1, 2 and 4 in. (25, 51 and 102 mm) diam sizes for use with nom 1, 2 and 4 in. (25, 51 and 102 mm) diam Smooth Sleeve devices (Item 2A). End cap devices installed on both sides of wall in accordance with accompanying instructions.

**UNIQUE FIRE STOP PRODUCTS INC — Smooth Endcap**

\* Bearing the UL Classification Mark

---

## Design/System/Construction/Assembly Usage Disclaimer

- Authorities Having Jurisdiction should be consulted in all cases as to the particular requirements covering the installation and use of UL Listed or Classified products, equipment, system, devices, and materials.
- Authorities Having Jurisdiction should be consulted before construction.
- Fire resistance assemblies and products are developed by the design submitter and have been investigated by UL for compliance with applicable requirements. The published information cannot always address every construction nuance encountered in the field.
- When field issues arise, it is recommended the first contact for assistance be the technical service staff provided by the product manufacturer noted for the design. Users of fire resistance assemblies are advised to consult the general Guide Information for each product category and each group of assemblies. The Guide Information includes specifics concerning alternate materials and alternate methods of construction.
- Only Products which bear UL's Mark are considered as Classified, Listed, or Recognized.

---

Reprinted from the UL Online Certification Directory with permission from Underwriters Laboratories Inc.

Copyright © 2011 Underwriters Laboratories Inc. ®

Last Update: 2011-06-22