



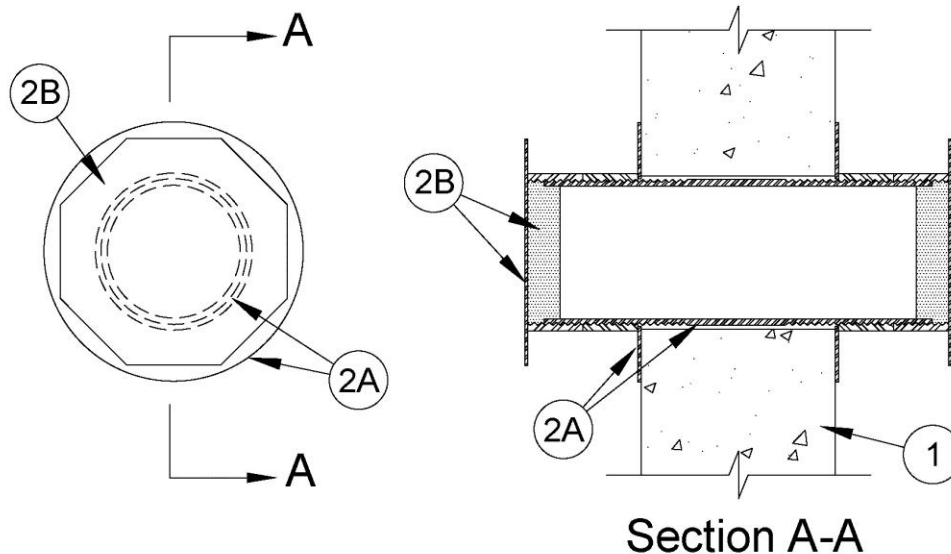
# Unique Fire Stop Products

UL XHEZ.W-J-0013  
Concrete 2, 3, & 4 Hr. Through-penetration Firestop System  
using Unique Fire Stop Products - Threaded Endcap (& Threaded Penetrator or Split Sleeve)

Guide XHEZ  
Through-Penetration Firestop Systems

April 14, 2005

System No. W-J-0013  
F Ratings - 2, 3 and 4 Hr (See Item 1)  
T Rating - 0 Hr



1. **Wall Assembly** — Min 6 in. (152 mm) thick reinforced lightweight or normal weight (100-150 pcf or 1600-2400 kg/m<sup>3</sup>) concrete wall. Wall may also be constructed of any UL Classified **Concrete Blocks\***.

See **Concrete Blocks** (CAZT) category in the Fire Resistance Directory for names of manufacturers.

**F Rating is equal to hourly fire rating of wall.**

2. **Firestop System** — The firestop system shall consist of the following:

A. **Firestop Device\*** — Threaded steel sleeve device incorporating flat washers secured by threaded couplers. Device shall be installed in accordance with the accompanying installation instructions. Device provided in nom 1, 2 and 4 in. (25, 51 and 102 mm) diam sizes. Max diam of opening in wall for nom 1, 2 and 4 in. (25, 51 and 102 mm) diam devices is 1-1/4, 2-7/16 and 4-1/2 in. (32, 62 and 114 mm), respectively.

**UNIQUE FIRE STOP PRODUCTS INC — Threaded Penetrator**

A1. **Firestop Device\*** — (Not Shown) — As an alternate to the threaded sleeve device in Item 2A, threaded steel sleeve halves incorporating split nuts and split washers sized to fit the specific diam of the opening may be used. Device shall be installed in accordance with the accompanying installation instructions. Device provided in nom 1, 2 and 4 in. (25, 51 and 102 mm) diam sizes. Max diam of opening in wall for nom 1, 2 and 4 in. (25, 51 and 102 mm) diam device is 1-1/4, 2-7/16 and 4-1/2 in. (32, 62 and 114 mm), respectively.

**UNIQUE FIRE STOP PRODUCTS INC — Split Sleeve**

B. **Firestop Device\* - End Cap** — End cap device incorporating an octagonal cover plate with a threaded coupling provided with an intumescent putty fill. Device provided in nom 1, 2 and 4 in. (25, 51 and 102 mm) diam sizes for use with nom 1, 2 and 4 in. (25, 51 and 102 mm) diam Threaded Sleeve (Item 2A) or Split-Sleeve (Item 2A1) devices. End cap devices installed on both sides of wall in accordance with accompanying instructions.

**UNIQUE FIRE STOP PRODUCTS INC — Threaded Endcap**

\* Bearing the UL Classification Mark

---

## **Design/System/Construction/Assembly Usage Disclaimer**

- Authorities Having Jurisdiction should be consulted in all cases as to the particular requirements covering the installation and use of UL Listed or Classified products, equipment, system, devices, and materials.
- Authorities Having Jurisdiction should be consulted before construction.
- Fire resistance assemblies and products are developed by the design submitter and have been investigated by UL for compliance with applicable requirements. The published information cannot always address every construction nuance encountered in the field.
- When field issues arise, it is recommended the first contact for assistance be the technical service staff provided by the product manufacturer noted for the design. Users of fire resistance assemblies are advised to consult the general Guide Information for each product category and each group of assemblies. The Guide Information includes specifics concerning alternate materials and alternate methods of construction.
- Only Products which bear UL's Mark are considered as Classified, Listed, or Recognized.

---

Reprinted from the UL Online Certification Directory with permission from Underwriters Laboratories Inc.

Copyright © 2011 Underwriters Laboratories Inc. ®

Last Update: 2011-06-22