



Unique Fire Stop Products

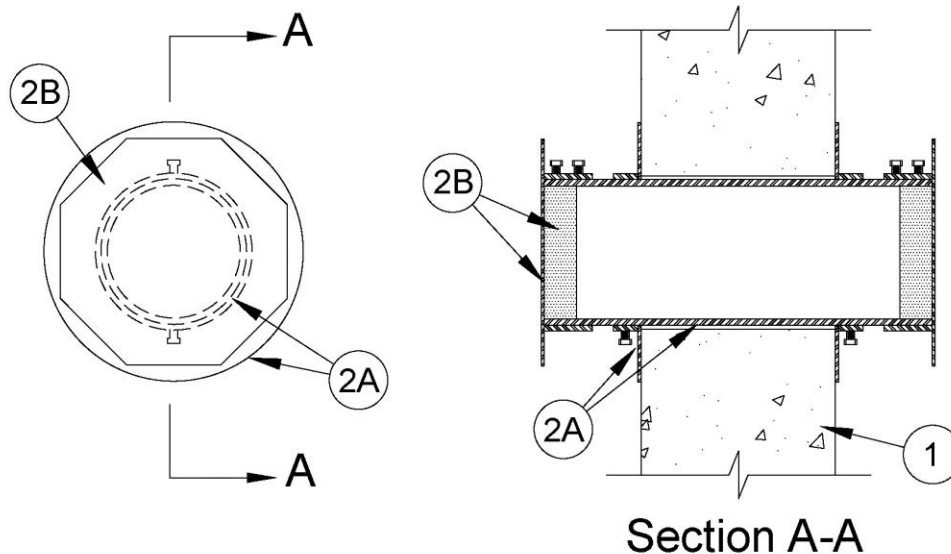
UL XHEZ.W-J-0012
Concrete 2 Hr. Through-penetration Firestop System
using Unique Fire Stop Products - Smooth Endcap (& Smooth Penetrator)

Guide XHEZ
Through-Penetration Firestop Systems

April 14, 2005

System No. W-J-0012

F Rating - 2 Hr
T Rating - 0 Hr



1. **Wall Assembly** — Min 6 in. (152 mm) thick reinforced lightweight or normal weight (100-150 pcf or 1600-2400 kg/m³) concrete. Wall may also be constructed of any UL Classified **Concrete Blocks***.

See **Concrete Blocks** (CAZT) category in the Fire Resistance Directory for names of manufacturers.

2. **Firestop System** — The firestop system shall consist of the following:

A. **Firestop Device* - Sleeve** — Smooth steel sleeve device incorporating flat washers secured by sliding compression couplers. Device shall be installed in accordance with the accompanying installation instructions. Device provided in nom 1, 2 and 4 in. (25, 51 and 102 mm) diam sizes. Max diam of opening in wall for 1, 2 and 4 in. (25, 51 and 102 mm) size device is 1-1/4, 2-7/16 and 4-1/2 in. (32, 62 and 114 mm), respectively.

UNIQUE FIRE STOP PRODUCTS INC — Smooth Penetrator

B. **Firestop Device* - End Cap** — End cap device incorporating an octagonal cover plate with a set screw coupling provided with an intumescent putty fill. Device provided in nom 1, 2 and 4 in. (25, 51 and 102 mm) diam sizes for use with nom 1, 2 and 4 in.

(25, 51 and 102 mm) diam Smooth Sleeve devices (Item 2A). End cap devices installed on both sides of wall in accordance with accompanying instructions.

UNIQUE FIRE STOP PRODUCTS INC — Smooth Endcap

* Bearing the UL Classification Mark

Design/System/Construction/Assembly Usage Disclaimer

- Authorities Having Jurisdiction should be consulted in all cases as to the particular requirements covering the installation and use of UL Listed or Classified products, equipment, system, devices, and materials.
 - Authorities Having Jurisdiction should be consulted before construction.
 - Fire resistance assemblies and products are developed by the design submitter and have been investigated by UL for compliance with applicable requirements. The published information cannot always address every construction nuance encountered in the field.
 - When field issues arise, it is recommended the first contact for assistance be the technical service staff provided by the product manufacturer noted for the design. Users of fire resistance assemblies are advised to consult the general Guide Information for each product category and each group of assemblies. The Guide Information includes specifics concerning alternate materials and alternate methods of construction.
 - Only Products which bear UL's Mark are considered as Classified, Listed, or Recognized.
-

Reprinted from the UL Online Certification Directory with permission from Underwriters Laboratories Inc.

Copyright © 2011 Underwriters Laboratories Inc. ®

Last Update: 2011-06-23