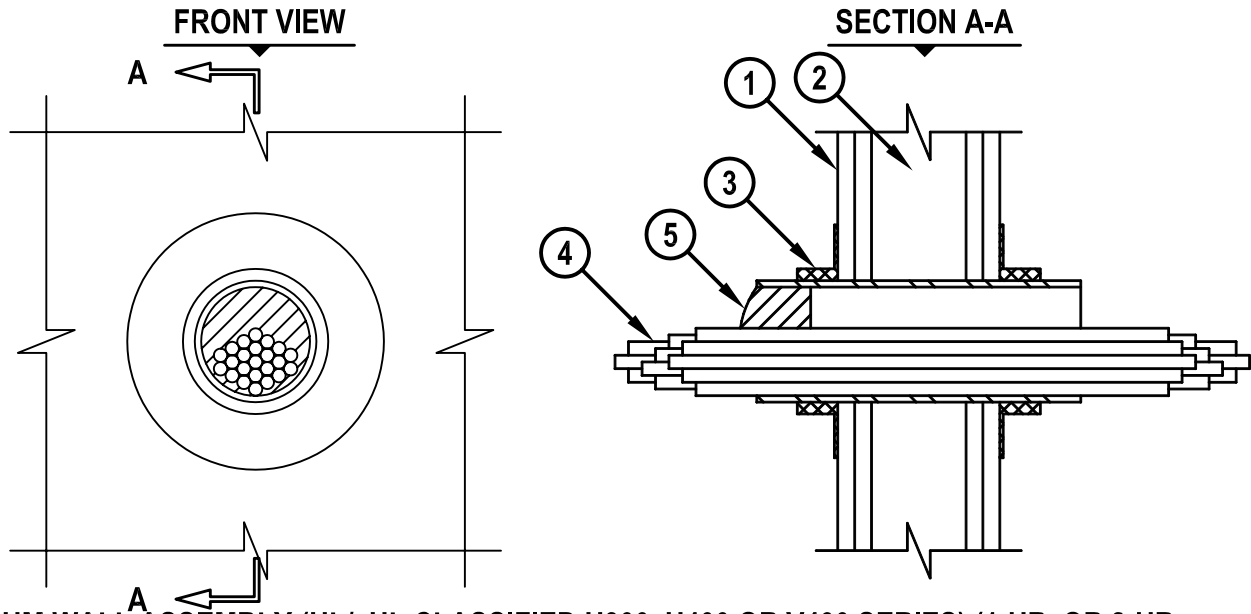


CABLE BUNDLE THROUGH "UNIQUE FIRESTOP SLEEVE" IN 1-HR. OR 2-HR. GYPSUM WALL ASSEMBLY

F-RATING = 1-HR. OR 2-HR.
T-RATING = 0-HR.



WL3282a.041905

1. GYPSUM WALL ASSEMBLY (UL/cUL CLASSIFIED U300, U400 OR V400 SERIES) (1-HR. OR 2-HR. FIRE-RATING).
2. [NOT SHOWN] WOOD STUDS TO CONSIST OF NOMINAL 2" x 4" LUMBER. STEEL STUDS TO BE MINIMUM 3-1/2" WIDE.
3. UNIQUE FIRESTOP PRODUCTS, DIVISION OF "IT'S UNIQUE" INC. SMOOTH SLEEVE, THREADED SLEEVE, OR SPLIT SLEEVE (2" AND 4" SIZES).
4. CABLE BUNDLE TO BE A COMBINATION OF ANY OF THE FOLLOWING :
 - A. MAXIMUM 300 PAIR NO. 24 AWG TELEPHONE CABLE WITH PVC JACKET.
 - B. MAXIMUM 750 KCMIL POWER CABLE WITH PVC JACKET.
 - C. MAXIMUM 7/C NO. 12 AWG POWER CABLE WITH PVC JACKET.
 - D. MAXIMUM 1/2" DIAMETER FIBER-OPTIC CABLE (MAXIMUM 24 FIBER).
 - E. MAXIMUM 3/C NO. 12 AWG METAL-CLAD CABLE WITH PVC JACKET.
 - F. MAXIMUM 1" DIAMETER METAL-CLAD TEK CABLE WITH PVC JACKET.
 - G. MAXIMUM 2/0 ALUMINUM SER CABLE.
 - H. TYPE RG 59/U COAXIAL CABLE WITH PVC JACKET.
5. ONE HILTI CP 658T FIRESTOP PLUG CUT TO FIT AROUND THE CABLE BUNDLE AND INSTALLED TIGHTLY WITHIN SLEEVE SUCH THAT THE OUTER CIRCUMFERENCE OF THE DOME SHAPED PLUG IS FLUSH WITH EITHER END OF SLEEVE. WHEN SPLIT SLEEVE IS USED, INSTALL TWO HILTI CP 658T FIRESTOP PLUGS, FLUSH WITH BOTH ENDS OF SLEEVE.

NOTES : 1. MAXIMUM DIAMETER OF OPENING IN WALL FOR 2-7/16" AND 4-1/2" SIZES ARE 2-1/4", AND 4-1/2", RESPECTIVELY.
 2. CABLES TO FILL MAXIMUM 50% OF CROSS-SECTIONAL AREA OF OPENING.
 3. ANNULAR SPACE = MINIMUM 0", MAXIMUM 3".



HILTI, Inc.
Tulsa, Oklahoma USA (918) 252-6000

Sheet	1 of 1
Scale	9/64" = 1"
Date	APR. 19, 2005

Drawing No.

**WL
3282a**