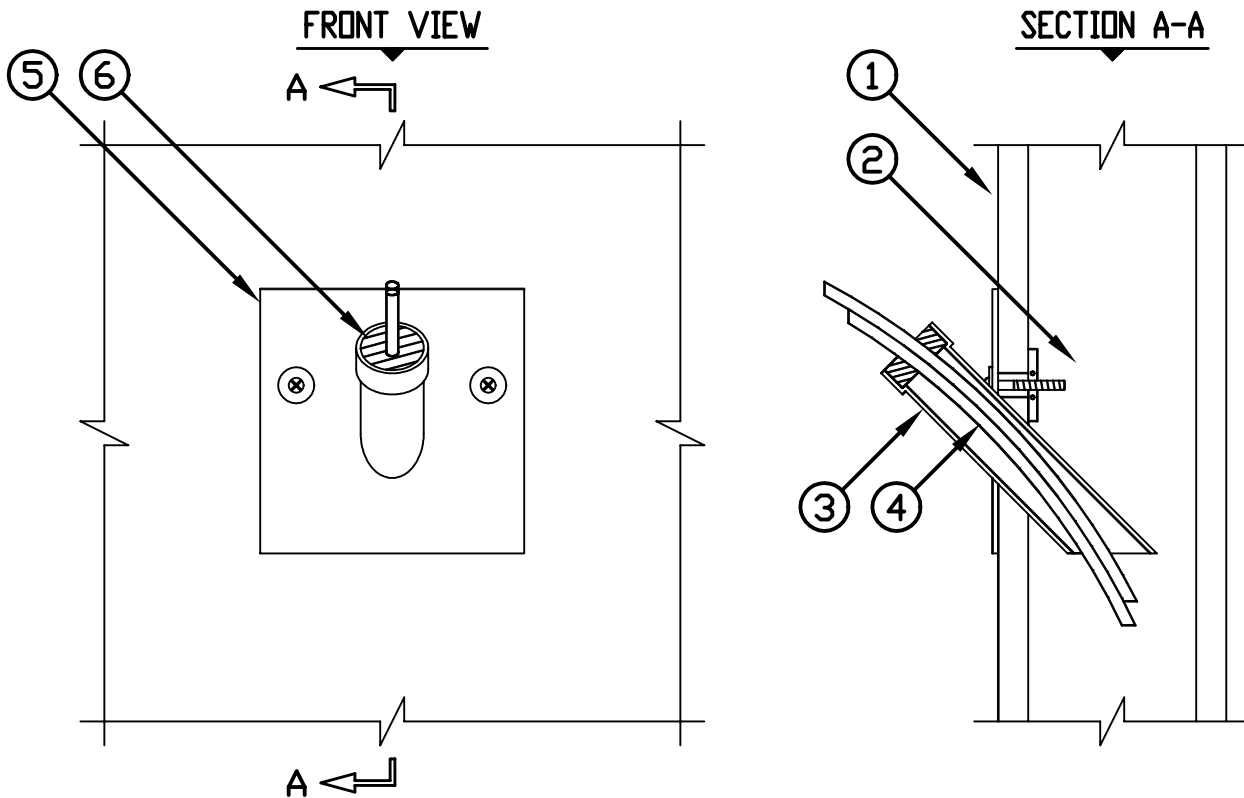


UL/cUL SYSTEM NO. W-L-3220
**CABLE BUNDLE THROUGH "UNIQUE FIRESTOP SLEEVE" IN A
 1-HR. GYPSUM WALL ASSEMBLY**

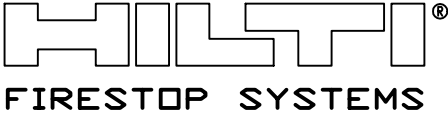
F-RATING = 1-HR.
 T-RATING = 1/4-HR.

WL 3220b.030603



1. GYPSUM WALL ASSEMBLY (UL CLASSIFIED U300 OR U400 SERIES WALL) (1-HR. FIRE-RATING).
2. (NOT SHOWN). WOOD STUDS TO CONSIST OF NOMINAL 2" x 4" LUMBER. STEEL STUDS TO BE MINIMUM 3-5/8" WIDE.
3. NOMINAL 1" DIAMETER MEMBRANE PENETRATOR, MANUFACTURED BY UNIQUE FIRESTOP PRODUCTS, INC. INSTALLED IN ACCORDANCE WITH MANUFACTURERS INSTALLATION INSTRUCTIONS.
4. CABLE BUNDLE TO CONSIST OF ANY DOF THE FOLLOWING :
 - A. MAXIMUM 100 PAIR NO. 24 AWG TELEPHONE CABLE WITH PVC JACKET.
 - B. MAXIMUM RG59/U COAXIAL CABLE.
 - C. MAXIMUM 62.5/48 FIBER OPTIC CABLE.
 - D. MAXIMUM FOUR PAIR NO. 24 AWG CATEGORY 5 CABLE.
5. (NOT SHOWN). NOMINAL 1/4" CONTINUOUS BEAD HILTI CP 618 FIRESTOP PUTTY STICK OR FS-ONE INTUMESCENT FIRESTOP SEALANT APPLIED TO FORM A GASKET BETWEEN BACK OF FIRESTOP DEVICE MOUNTING PLATE AND WALL SURFACE.
6. MINIMUM 1" DEPTH HILTI CP 618 FIRESTOP PUTTY STICK OR FS-ONE INTUMESCENT FIRESTOP SEALANT APPLIED FLUSH WITH END PROTRUDING FROM WALL.

NOTE : CABLES TO FILL MAXIMUM 50% OF CROSS-SECTIONAL AREA OF SLEEVE.

	HILTI, Inc. Tulsa, Oklahoma USA (918) 252-6000	Sheet 1 of 1	Drawing No. WL 3220b
		Scale 1/4" = 1"	
			Date March 6, 2003