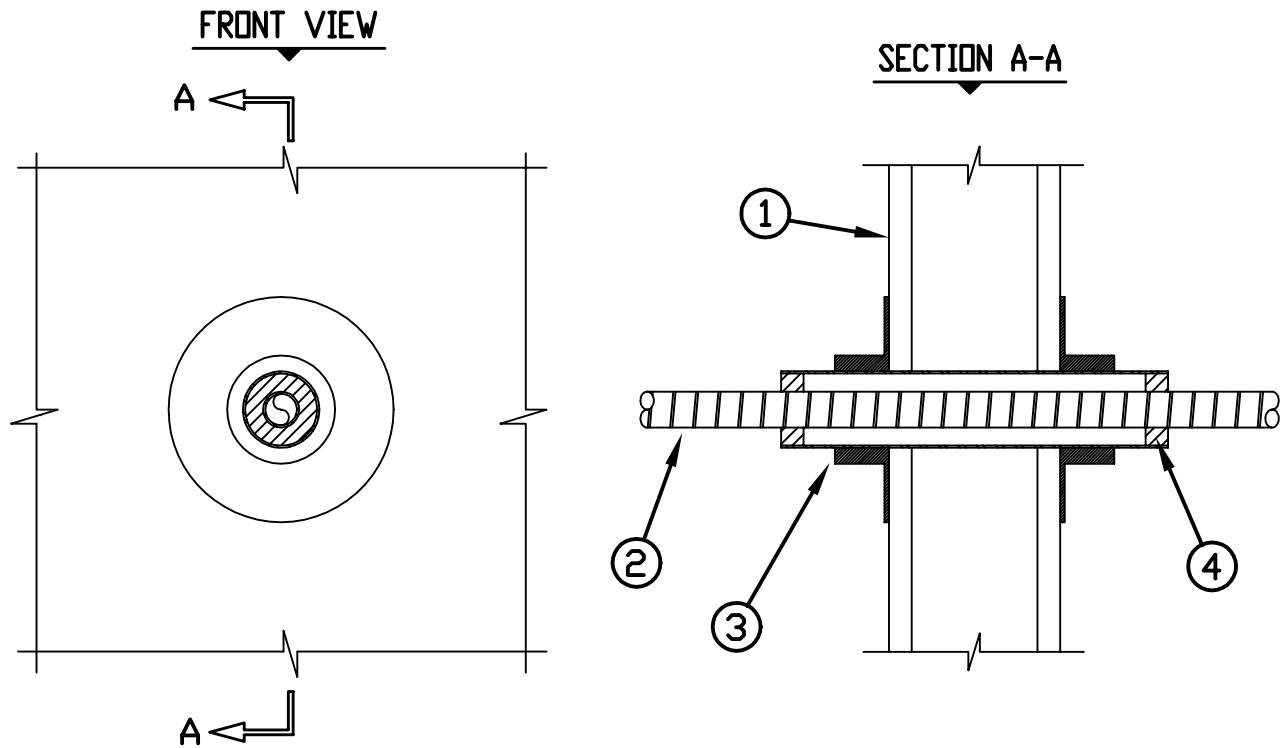


UL SYSTEM NO. WL2197  
**PLASTIC PIPE THROUGH GYPSUM WALL ASSEMBLY.**

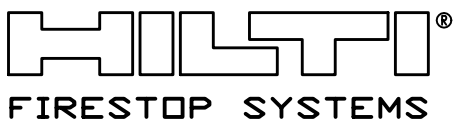
F RATING = 1-HR.  
 T RATING = 1/2-HR.

WL2197a.120999



1. GYPSUM WALL ASSEMBLY (UL CLASSIFIED U300 OR U400 SERIES WALL) (1-HR. FIRE-RATING).
2. MAXIMUM 1' NOMINAL DIAMETER OPTICAL FIBER RACEWAY (INNERDUCT) (CLOSED PIPING SYSTEM).
3. UNIQUE FIRESTOP PRODUCTS, DIV. OF 'IT'S UNIQUE' INC. SMOOTH SLEEVE (1' AND 2' SIZES).
4. MINIMUM 5/8" DEPTH HILTI FS-ONE INTUMESCENT FIRESTOP SEALANT.

NOTES : 1. MAXIMUM DIAMETER OF OPENING IN WALL FOR 1' AND 2' SIZES ARE  
 ARE 1-1/8" AND 2-1/4" RESPECTIVELY.  
 2. ANNULAR SPACE = MINIMUM 1/4", MAXIMUM 3/8".



HILTI, Inc.  
 Tulsa, Oklahoma USA (918) 252-6000

Sheet	1 of 1
Scale	3/16" = 1"
Date	DEC. 09, 1999

Drawing No.  
**WL**  
**2197a**