



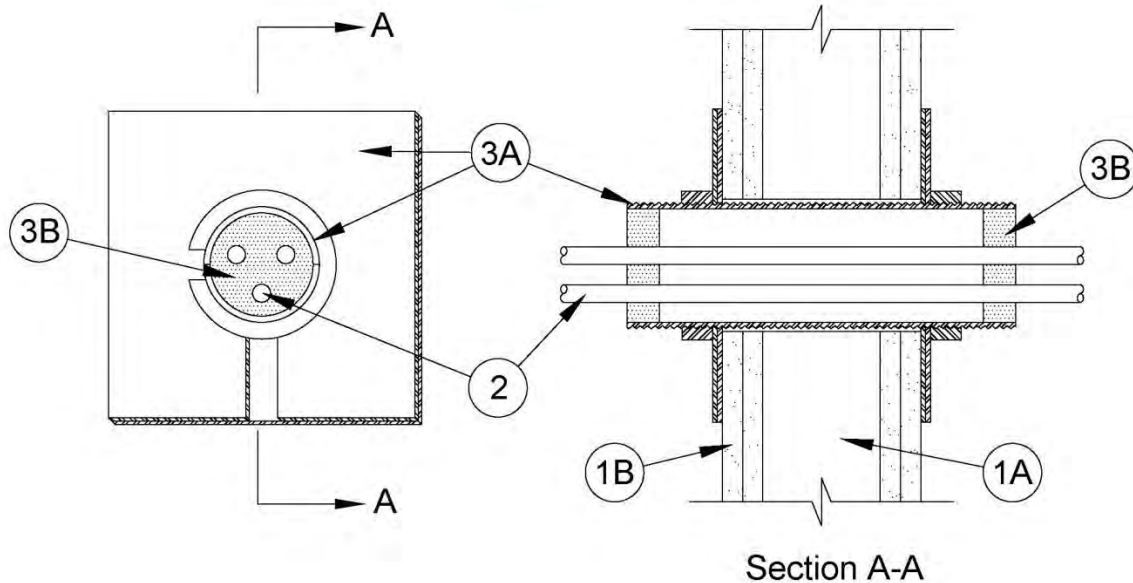
Unique Fire Stop Products

UL XHEZ.W-L-3232 Drywall 1 and 2 Hr. Through-Firestop System using Unique Fire Stop Products – Split Sleeve

Guide XHEZ
Through-Firestop Systems

April 12, 2010

System No. W-L-3232
F Ratings - 1 and 2 Hr (See Item 1)
T Rating - 0 Hr



1. **Wall Assembly** — The 1 or 2 hr fire-rated gypsum board/stud wall assembly shall be constructed of the materials and in the manner described in the individual U300, U400 or V400 Series Wall and Partition Designs in the UL Fire Resistance Directory and shall include the following construction features:

A. **Studs** — Wall framing shall consist of either wood studs or steel channel studs. Wood studs to consist of nom 2 by 4 in. (51 by 102 mm) lumber spaced 16 in. (406 mm) OC. Steel studs to be min 3-5/8 in. (92 mm) wide and spaced 24 in. (610 mm) OC.

B. **Gypsum Board*** — 5/8 in. (16 mm) thick, 4 ft (1219 mm) wide with square or tapered edges. The gypsum board type, thickness, number of layers, fastener type and sheet orientation shall be as specified in the individual U300, U400 or V400 Series Designs in the UL Fire Resistance Directory.

The hourly F Rating of the firestop system is equal to the hourly fire rating of the wall assembly in which it is installed.

2. **Cables** — Aggregate cross-sectional area of cables in Split Sleeve to be min 8 percent to max 48 percent of the aggregate cross-sectional area of the Split Sleeve. Cables to be rigidly supported on both sides of wall assembly. Any combination of the following types and sizes of cables may be used:

- A. Max 200 pair No. 24 AWG (or smaller) copper conductor cable with polyvinyl chloride (PVC) jacketing and insulation.
- B. Max 1/C, 750 kcmil power cable with copper conductors and cross-linked polyethylene (XLPE) jacketing.
- C. Max 3/C No. 2/0 AWG (or smaller) aluminum or copper conductor service entrance cable with PVC insulation and jacket.
- D. Max 3/C No. 8 AWG (or smaller) nonmetallic sheathed (Romex) cable with copper conductors, PVC insulation and jacket.
- E. Max 7/C No. 12 AWG (or smaller) multiconductor power and control cables with XLPE or PVC insulation and XLPE or PVC jacket.
- F. Max RG59/U (or smaller) coaxial cable with fluorinated ethylene insulation and jacketing.
- G. Max 62.5/48 fiber optic cable with PVC insulation and jacketing.
- H. Max 4 pair No. 24 AWG (or smaller) copper conductor category 5 with Hylar insulation and jacket.

3. **Firestop System** — The firestop system shall consist of the following:

A. **Firestop Device*** — Threaded steel sleeve halves incorporating split nuts and split washers sized to fit the specific diam of the opening. Device shall be installed around cables in accordance with the accompanying installation instructions. Device provided in nom 1, 2 and 4 in. (25, 51 and 102 mm) sizes. Max diam of opening in wall for 1, 2 and 4 in. (25, 51 and 102 mm) size devices are 1-1/4, 2-7/16 and 4-1/2 in. (32, 62 and 114 mm) respectively.

UNIQUE FIRE STOP PRODUCTS INC — Split Sleeve

B. **Fill, Void or Cavity Material*- Putty** — Min 1 in. (25 mm) thickness of fill material applied within the Split Sleeve, flush with both ends. Allowable fill materials: Hilti CP 618 Putty / Specified Technologies Inc. Spec Seal Putty / Rectorseal Metacaulk

HILTI INC — CP 618

RECTORSEAL- FSP 1000 Putty. F rating is 2 Hr when this material is used.

STI-SSP series

* Bearing the UL Classification Mark

Design/System/Construction/Assembly Usage Disclaimer

- Authorities Having Jurisdiction should be consulted in all cases as to the particular requirements covering the installation and use of UL Listed or Classified products, equipment, system, devices, and materials.
- Authorities Having Jurisdiction should be consulted before construction.
- Fire resistance assemblies and products are developed by the design submitter and have been investigated by UL for compliance with applicable requirements. The published information cannot always address every construction nuance encountered in the field.
- When field issues arise, it is recommended the first contact for assistance be the technical service staff provided by the product manufacturer noted for the design. Users of fire resistance assemblies are advised to consult the general Guide Information for each product category and each group of assemblies. The Guide Information includes specifics concerning alternate materials and alternate methods of construction.
- Only Products which bear UL's Mark are considered as Classified, Listed, or Recognized.

Reprinted from the UL Online Certification Directory with permission from Underwriters Laboratories Inc.

Copyright © 2011 Underwriters Laboratories Inc. ®

Last Update: 2011-06-22